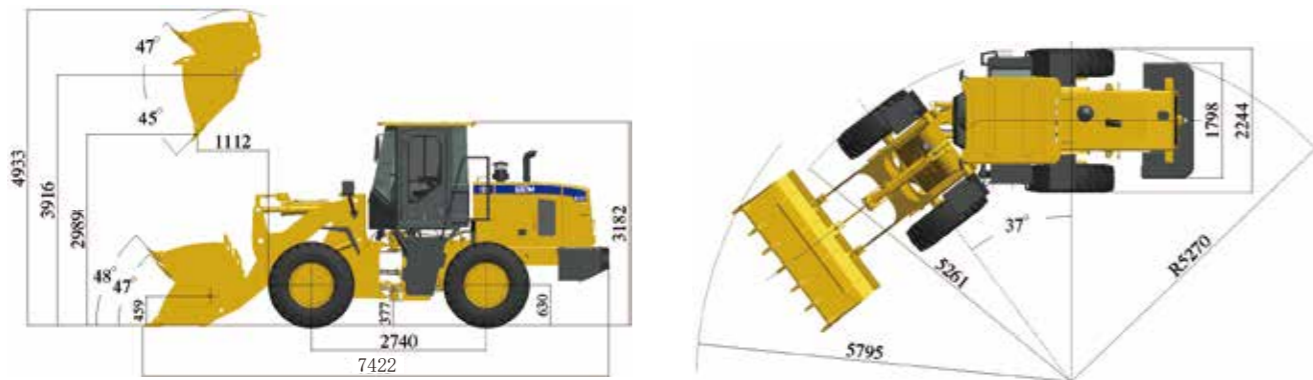


Main Specifications

Main Specifications		Axle, Tire & Brakes	
Rated Load (kg)	3,000	Rear - Oscillating +/- (°)	±12
Operating Weight with Std Bucket (kg)	10,400	Tire Size, Type & Texture	17.5-25 PR12 Bias
Bucket Capacities (m³)	1.5-2.5	Service Brake	Dry & Caliper, Air to Oil Control
Breakout Force (kN)	113	Parking Brake	Drum Type Shoe Brake
Max. Drawbar Pull Force (kN)	97	Engine	
Service Refill Capacities		Engine Model	WP6G125E22
Fuel Tank (L)	160	Emission	T2/ Stage2
Hydraulic Tank (L)	95	Rated Speed (r/min)	2,200
Engine Lubricating Oil (L)	17	Rated Gross Power (kW)	92
Transmission Oil (L)	45	Displacement (L)	6.7
Transmission		Implement Hydraulic System	
Maker & Type	SEM TR100	Implement Hydraulic System Type	Gear Pump
Transmission Gear	F4/R2	Hydraulic Cycle Time (s)	8.3
Torque Converter Type	Single Stage, 3 Elements	Raise (s)	4.6
Max Speed (km/hr)	39	System Pressure (MPa)	18

Optional Features

High Lift Arm	Sand Type Tire	Snow Blade
U Arm	GP Bucket	Log Gripper
Cummins Engine	Rock Bucket	Hay Fork
3 Spool	Coal Bucket	Pipe Fork
High Debris Cooling Package	QC	Oil Bath Air Filter
High Ambient	Marble Fork	Product Link



► Note: the above dimensions are based on the standard configuration.

SEM636D Wheel Loader



SEM636D

Product Advantage

- High Productivity
- Best-in-class Reliability and Durability
- Excellent Fuel Economy
- Outstanding Operator Comfort

Caterpillar (Qingzhou) Ltd. Address: No.12999 Nanhuan Road,Caterpillar Industrial Park, Qingzhou City,Shandong Province, Zip Code: 262500 P.R.China

© Materials and specifications are subject to change without notice. Featured machines in photos may include optional equipment. See your SEM dealer for available options.

© 2020 Caterpillar (Qingzhou) Ltd. All Rights Reserved. SEM Machinery, SEM, their respective logos, trade dress as well as corporate and product identity used herein, are trademarks of Caterpillar (Qingzhou) Ltd. and may not be used without permission.

Version: January 2020 - EAEU Region

Website

<http://www.semmachinery.com>



A Caterpillar Brand