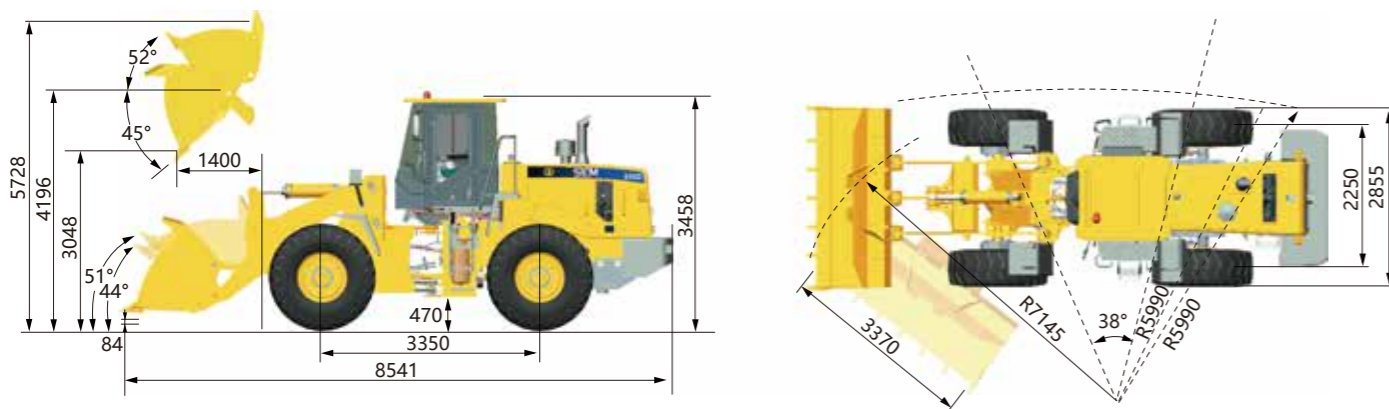


Main Specifications

Main Specifications		Axle, Tire & Brakes	
Rated Load (kg)	6,000	Rear - Oscillating +/- (°)	±11
Operating Weight with Std Bucket (kg)	20,200	Tire Size, Type & Texture	23.5-25 PR16 Bias
Bucket Capacities (m³)	2.9-5.5	Service Brake	Air to Oil Control
Breakout Force (kN)	197	Parking Brake	Drum/Shoe
Max. Drawbar Pull Force(kN)	188	Engine	
Service Refill Capacities		Engine Model	WD10G240E201
Fuel Tank (L)	252	Emission	T2/ Stage2
Hydraulic Tank (L)	165	Rated Speed	2,200
Engine Lubricating Oil (L)	21	Rated Gross Power (kW)	178
Transmission Oil (L)	45	Displacement (L)	9.7
Transmission		Implement Hydraulic System	
Maker & Type	SEM160	Implement Hydraulic System Type	Open Center
Transmission Gear	F4/R3	Hydraulic Cycle Time (s)	9.8
Torque Converter Type	Single Stage, 3 Elements	Raise (s)	5.3
Max Speed (km)	32	System Pressure (MPa)	18

Optional Features

GP Bucket	26.5-25 Tire
Rock Bucket	Radial Tire
Coal Bucket	QC
Spade Nose Rock Bucket	Oil Bath
Side Dump Bucket	PL 241
SI Axle	



► Note: the above dimensions are based on the standard configuration.

SEM668D Wheel Loader



SEM668D

Product Advantages

- **Reliability:** Sturdy frame design for heavy duty, Caterpillar design transmission and made in house axle make usage life longer
- **Productivity:** EH control transmission with KD and auto speed function, optimized TC and engine match 11% rimpull improved
- **Fuel consumption:** Optimized transmission flow and E-fan deliver lower fuel consumption
- **Comfortable:** Good visibility cab low noise design with first class premium 6 directions adjustable seat make comfortable operation

Caterpillar (Qingzhou) Ltd. Address: No.12999 Nanhuan Road,Caterpillar Industrial Park, Qingzhou City,Shandong Province, Zip Code: 262500 P.R.China

© Materials and specifications are subject to change without notice. Featured machines in photos may include optional equipment. See your SEM dealer for available options.

© 2019 Caterpillar (Qingzhou) Ltd. All Rights Reserved. SEM Machinery, SEM, their respective logos, trade dress as well as corporate and product identity used herein, are trademarks of Caterpillar (Qingzhou) Ltd. and may not be used without permission.

Version: September 2019 - EAEU Region

Website

<http://www.semmachinery.com>



A Caterpillar Brand