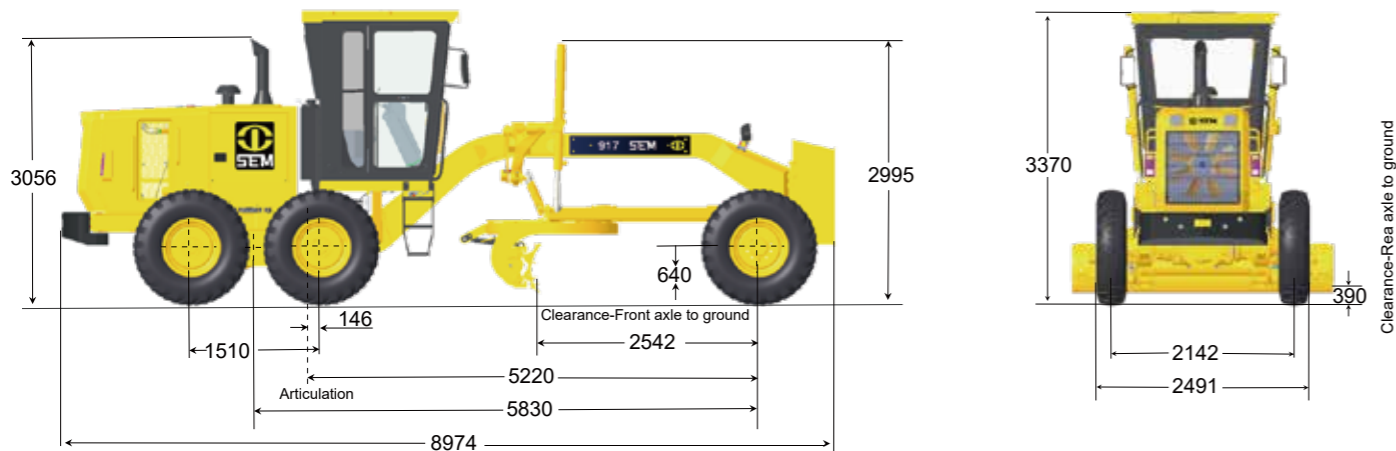


## Main Specifications

Operating Weight-High Profile ROPS		Hydraulic System	
Standard / kg	13,820	Circuit Type	Load Sensing, PPPC
With Ripper+Front Counterweight / kg	14,100	Pump Type	Variable Piston
With Front Blade / kg	14,450	Max. Pump Output / L / min	162.8
With Ripper+Front Blade / kg	14,730	Max. System Pressure / MPa	22
<b>Operating Specifications</b>		Standby Pressure / MPa	2.0~2.2
Top Speed, Forward / kph	40	<b>Moldboard</b>	
Top Speed, Reverse / kph	29	Blade Width, Standard / mm (inch)	3,669 (12')
Min. Turning Radius / mm	7,300	Blade Width, Optional / mm (inch)	3,972 (13')
Articulation Angle, Left / Right	20°	Moldboard Height / mm	610
Gradeability	30°	Moldboard Thickness / mm	20
Wheelbase / mm	5,830	Throat Clearance / mm	112
Travel Speed, Forward / kph	5.3/8.2/13.3/20.3/29/40	Float Function	Optional
Travel Speed, Reverse / kph	5.3/13.3/29	Moldboard Sideshift, LH / mm	647
Drawbar Pull / kN	78	Moldboard Sideshift, RH / mm	528
<b>Engine</b>		Circle Centershift, LH / mm	512
Engine Manufacturer	SDEC (ShangHai Diesel)	Circle Centershift, RH / mm	663
Engine Model	SC7H170.1G2B	Max. Blade Position Angle	90°
Rated Power / kW @ RPM	125 @ 2,200	Blade Tip, Forward	40°
Max. Torque / kN @ RPM	750 @ 1,400	Blade Tip, Backward	5°
Emission	Tier 2	Blade Cutting Angle	24-69°
Displacement / L	6.5	Max. Shoulder Reach outside of Tires, LH / mm	1,748
Bore / mm	105	Max. Shoulder Reach outside of Tires, RH / mm	1,912
Stroke / mm	124	Max. Lift above Ground / mm	460
Number of Cylinders	6	Max. Cutting Depth / mm	725
<b>Transmission</b>		<b>Service Refill Capacity</b>	
Brand / Manufacturer	Advance / HangChi	Fuel Tank / L	218
Type	Converter, Powershift	Engine Oil / L	17.5
Powershift Pressure / MPa	1.3~1.7	Coolant / L	37
Forward / Reverse Gears	6 Forward / 3 Reverse	Transmission / L	17
Parking Brake	Spring Actuated, Air Released	Differential Case/ L	27
<b>Tandem Axle</b>		Tandem Case, Each Side / L	50
Brand / Manufacturer	SEM / Caterpillar	Circle Drive, Non Slip Clutch / L	2
Model	ST18	Circle Drive, With Slip Clutch / L	7
Differential	No-Spin	Hydraulic Oil Tank / L	55
Service Brake	Caliper-Disc	<b>Main Optional Equipments</b>	
Secondary	Dual Circuit	Front Blade / Front Blade Ready	Elec-Hydraulic Pin Puller
Oscillation Front Up	15°	Rear Ripper / Rear Ripper Ready	Hydraulic Blade Tip
Oscillation Front Down	25°	Mid Mounted Scarifier(MMS) / MMS Ready	Circle Drive with Slip Clutch
<b>Front Axle</b>		Front Counterweight, 1000kg	Circle Saver
Ground Clearance / mm	640	Rear Counterweight, 600kg	Rear Fender
Wheel Lean, Left / Right	±18°	Blade Float	Cold Start
Max. Oscillation	±16°		
Steering Range, Left / Right	±45°		



# SEM917 Motor Grader



## SEM917

### Product Advantages

- **High Performance:** Load sensing variable piston pump and specially designed PPPC valves provide superior implement control and better machine performance.
- **High Reliability:** Specially designed SEM tandem axle, flanged large box section front frame, A-shape drawbar frame with box section, are designed to handle heavy duty applications providing excellent reliability and durability.
- **Easy Operation:** Specially designed operating levers matching specially designed hydraulic system give operators outstanding "feel".

Caterpillar (Qingzhou) Ltd. Address: No.12999 Nanhuan Road,Caterpillar Industrial Park, Qingzhou City,Shandong Province, Zip Code: 262500 P.R.China

© Materials and specifications are subject to change without notice. Featured machines in photos may include optional equipment. Please consult your SEM dealer for available options.

© 2020 Caterpillar (Qingzhou) Ltd. All Rights Reserved. SEM Machinery, SEM, their respective logos, trade dress as well as corporate and product identity used herein, are trademarks of Caterpillar (Qingzhou) Ltd. and may not be used without permission.

Version: May 2020- EAEU Region

Website

<http://www.semmachinery.com>



A Caterpillar Brand